

M-3iA/12H



Max. load capacity at wrist: 12 kg



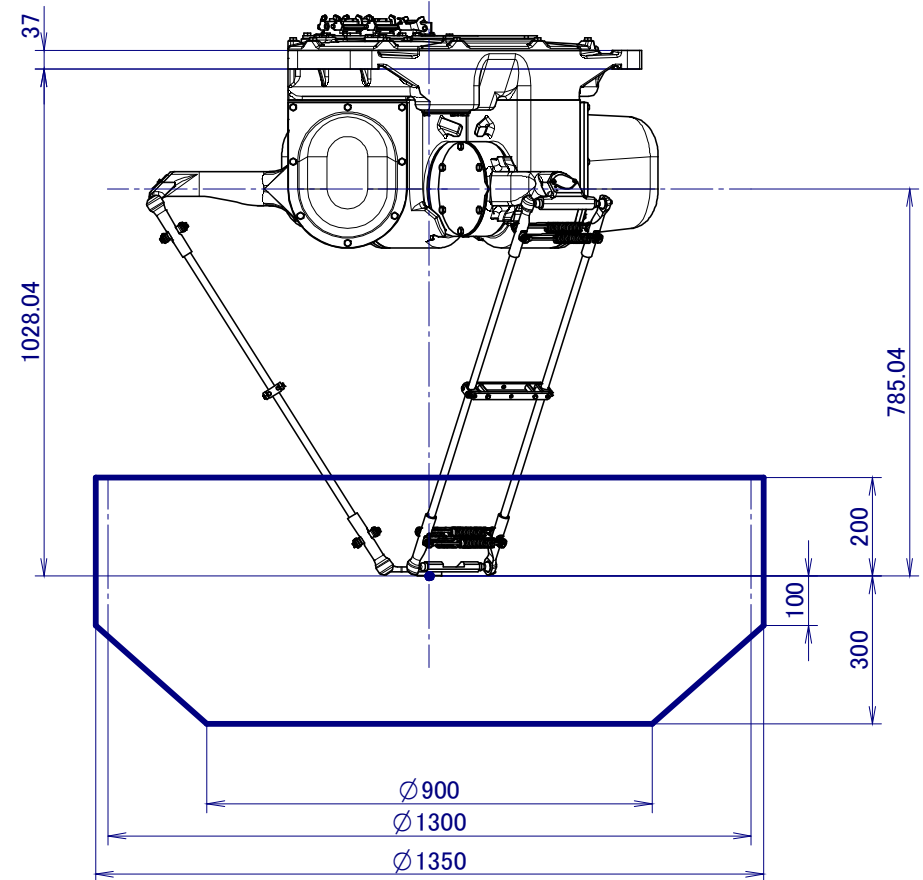
Max. reach: 1350 mm

FANUC

Robot			Max. load capacity at wrist (kg)	Reach (mm)	Controlled axes	Repeatability (mm)	Mechanical weight (kg)	Motion range (°)						Maximum speed (°/s)						J4 Moment/ Inertia	J5 Moment/ Inertia	J6 Moment/ Inertia	Average Power consumption (kW)	Protection	
Series	Version	Type						J1	J2	J3	J4	J5	J6	J1	J2	J3	J4	J5	J6					Body	Wrist & J3 arm
M-3	iA	12H	12	1350	3	± 0.1	155	∅ 1350 X 500 ^{(*)3}			-	-	-	-	-	-	-	-	*4)	NA	2.5	IP67	IP67		

● standard ○ on request - not available () with hardware and/or software option *3) ∅ in mm by height in mm *4) refer to the wrist load diagram

M-3iA/12H 3-axis, hollow wrist



M-3iA/12H