

DR-3iB/8L



Max. load capacity
at wrist: 8 kg



Max. reach:
1600 mm

FANUC

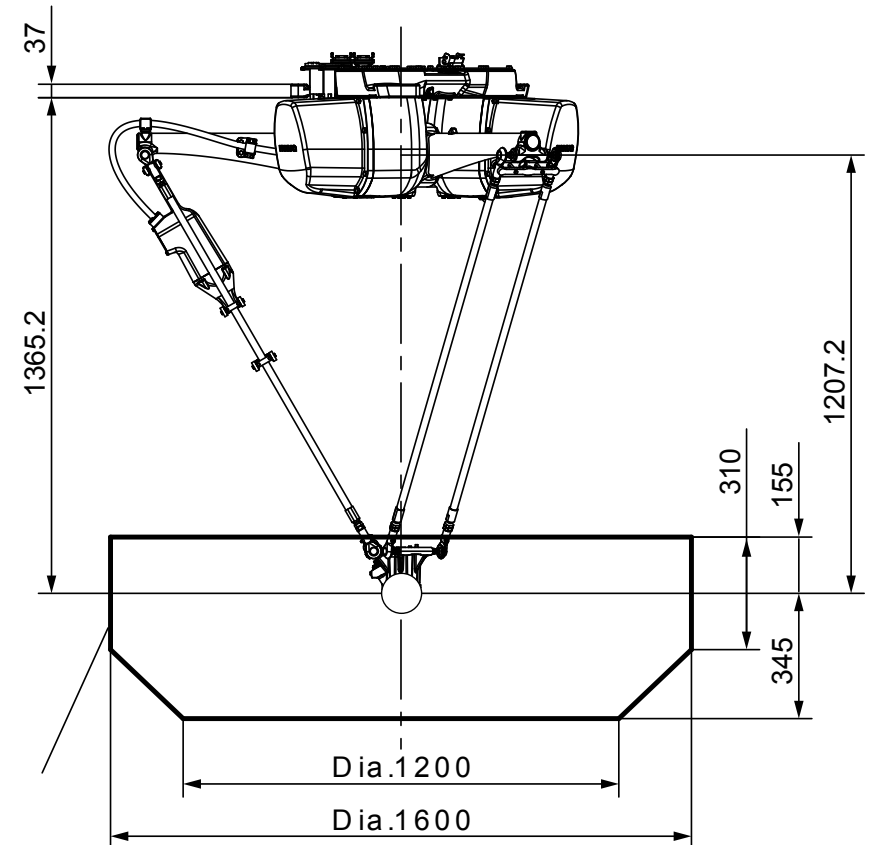
Robot			Max. load capacity at wrist (kg)	Reach (mm)	Controlled axes	Repeatability (mm)	Mechanical weight (kg)	Motion range [°]						Maximum speed [°/s]						Allowable load moment at wrist (Nm)			Average Power Consumption (kW)	Body & Wrist Protection			
Series	Version	Type						J1	J2	J3	J4	J5	J6	J1	J2	J3	J4	J5	J6	Allowable load inertia at wrist (kg m ²)							
																				J4	J5	J6					
DR-3	iB	8L	8	1600	4	±0.03	170	∅ 1600 X 500 ^{(*)3}						720	-	-	-	-	-	2250	-	-	NA	NA	NA	2.5	IP69K

● standard ○ on request - not available () with hardware and/or software option ^{(*)3} ∅ in mm by height in mm ^{(*)4} refer to the wrist load diagram ^{(*)5} high-inertia option

DR-3iB/8L 4-axis, food grade



DR-3iB/8L



Work Envelope
of ○ point