

SR-20iA Environmental



Max. load capacity
at wrist: 20 kg



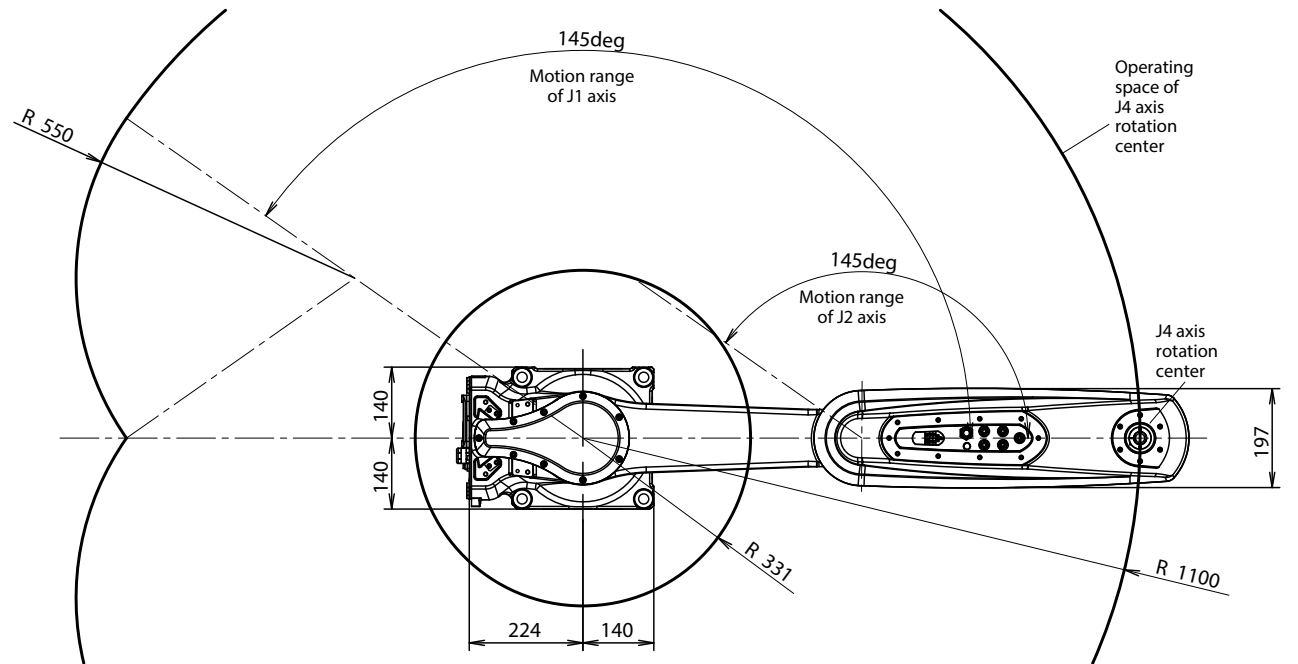
Max. reach:
1100 mm

FANUC

Robot			Max. load capacity at wrist (kg)	Reach (mm)	Controlled axes	Repeatability (mm)	Mechanical weight (kg)	Motion range (°)						Maximum speed (°/s)						Moments (N-m)/Inertia (kg-m ²)	Push Force (N)	Protection	
Series	Version	Type						J1	J2	J3	J4	J5	J6	J1	J2	J3	J4	J5	J6			J4 Moment/ Inertia	Body standard/optional
SR	iA	20	20	1100	4	±0.020 (J1, 2) ±0.01 (J3) ±0.005° (J4)	67	±145	±145	300 mm* (450 option)	±720	-	-	440	500	2800 mm/s	1700	-	-	--/0.45	250	IP65**	IP65**

- not available * z axis **IP65 Environmental option available

SR-20iA 4-axis - Environmental



SR-20iA